



11. Lithium Battery

 WARNING	<ul style="list-style-type: none"> ■ Do not insert or pull out the motor connectors while the power to the robot system is turned ON. Inserting or pulling out the motor connectors with the power ON is extremely hazardous and may result in serious bodily injury as the Manipulator may move abnormally, and also may result in electric shock and/or malfunction of the robot system. ■ To shut off power to the robot system, pull out the power plug from the power source. Be sure to connect the AC power cable to a power receptacle. DO NOT connect it directly to a factory power source. ■ Before performing any replacement procedure, turn OFF the Controller and related equipment, and then pull out the power plug from the power source. Performing any replacement procedure with the power ON is extremely hazardous and may result in electric shock and/or malfunction of the robot system.
--	---

 CAUTION	<ul style="list-style-type: none"> ■ Use meticulous care when handling the lithium battery. Improper handling of the lithium battery as mentioned below is extremely hazardous, may result in heat generation, leakage, explosion, or inflammation, and may cause serious safety problems. <p style="margin-left: 20px;"><Improper Handling></p> <table style="margin-left: 40px; border: none;"> <tr> <td>▪ Battery Charge</td> <td>▪ Deformation by Pressure</td> </tr> <tr> <td>▪ Disassembly</td> <td>▪ Short-circuit (Polarity; Positive/Negative)</td> </tr> <tr> <td>▪ Incorrect Installation</td> <td>▪ Heating (85°C or more)</td> </tr> <tr> <td>▪ Exposing to Fire</td> <td>▪ Soldering the terminal of the lithium battery directly</td> </tr> <tr> <td>▪ Forced Discharge</td> <td></td> </tr> </table> <ul style="list-style-type: none"> ■ When disposing of the battery, consult with the professional disposal services or comply with the local regulation. <p style="margin-left: 20px;">Spent battery or not, make sure the battery terminal is insulated. If the terminal contacts with the other metals, it may short and result in heat generation, leakage, explosion, or inflammation.</p>	▪ Battery Charge	▪ Deformation by Pressure	▪ Disassembly	▪ Short-circuit (Polarity; Positive/Negative)	▪ Incorrect Installation	▪ Heating (85°C or more)	▪ Exposing to Fire	▪ Soldering the terminal of the lithium battery directly	▪ Forced Discharge	
▪ Battery Charge	▪ Deformation by Pressure										
▪ Disassembly	▪ Short-circuit (Polarity; Positive/Negative)										
▪ Incorrect Installation	▪ Heating (85°C or more)										
▪ Exposing to Fire	▪ Soldering the terminal of the lithium battery directly										
▪ Forced Discharge											

In case of the low lithium battery power, the error to warn the voltage reduction occurs at the Controller startup (the software startup). All position data will be lost and you will need to calibrate all joints.

The life span of the lithium battery varies depending on the energizing hours and installation environment of the Controller. It is about 3 years as a rough guide (when the Controller is connected to power for 8 hours a day). When the Controller is not connected to power, the battery consumption will significantly increase compared to when the Controller is energized. If warnings of voltage reduction occur, replace the lithium metal battery even if it has not reached the above product life.



For the EPSON RC+ 7.0 Ver. 7.2.x or later (firmware Ver.7.2.x.x or later), the recommended replacement time for the battery can be checked in the [Maintenance] dialog box of the EPSON RC+ 7.0.

For details, refer to the following manual.

Robot Controller RC700 / RC700-A Maintenance 6. Alarm

The battery may run out if it passes the recommended replacement time.

If no warnings of voltage reduction occur, the calibration for all joints is not necessary. You need to perform calibration if the position moves from the originals after replaced the battery.

Always use the lithium battery and battery board designated by us.

(Refer to *Maintenance: 14. Maintenance Parts List.*)

Be careful of the battery polarity to connect it correctly.

	Name	Quantity	Note
Maintenance parts	Battery unit (Lithium battery)	1	R13ZA00600300
	Battery board	1	R13B041202
Tools	Nippers	1	For cutting wire tie
	Hexagonal wrench (width across flats: 3 mm)	1	For M4 screw
Material	Wire tie	2	For fixing battery unit (battery)
			For fixing cable

11.1 Replacing the Battery Unit (Lithium Battery)

Battery unit
(lithium battery)
Removal

- (1) Turn OFF the Controller.
- (2) Push down the shaft to its lower limit while pressing the brake release switch. Be sure to keep enough space and prevent the end effector hitting any peripheral equipment.

The brake release switch is applied to both Joints #3 and #4. When the brake release switch is pressed, the respective brakes of the Joints #3 and #4 are released simultaneously. (The brake for Joint #4 is only installed to G6-***3**.)

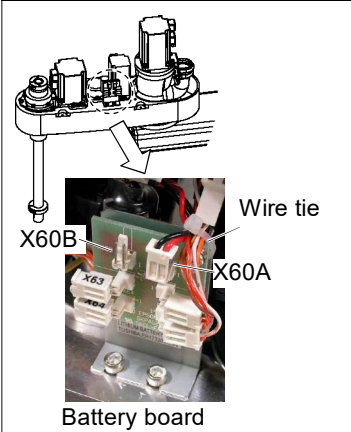
Be careful of the shaft falling and rotating while the brake release switch is being pressed because the shaft may be lowered by the weight of an end effector.

- (3) Remove the arm top cover.
For details, refer to *Maintenance: 3.1 Arm Top Cover*.

- (4) Connect the connector of the new lithium battery to the battery board.

User the unused connector of the two connectors X60A, X60B on the upper part of the battery board.

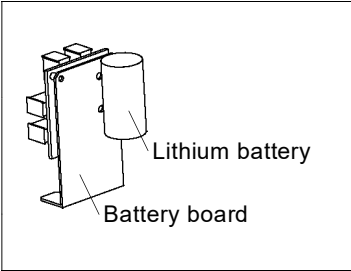
Be sure to connect the connector of the new battery before disconnecting the old battery. If the current battery is disconnected before connecting the new battery, the robot will lose the home position data and the calibration must be executed again.



NOTE

Except when the Power-Low warning is appearing.

- (5) Cut off the wire tie banding the lithium battery and remove the lithium battery.
- (6) Cut off the wire tie banding the lithium battery, Remove the battery.



Battery unit
(lithium battery)
Installation

- (1) Mount the new lithium battery to the battery board.
- (2) Fix the cable of lithium battery and connector cable connecting to battery board with wire tie. Refer to the procedure (4).

- (3) Mount the arm top cover.
For details, refer to *Maintenance: 3.1 Arm Top Cover*.

- (4) Turn ON the Controller.
- (5) Check if the Manipulator moves to points (poses) correctly.
To do so, select 2 points (poses) or more from the registered points (poses) and move the Manipulator to the points (poses).

- (6) If the Manipulator does not move to the points (poses) correctly, perform the calibration of all joints and axes.

For details, refer to *Maintenance: 13. Calibration*.