

Technical specification

N-Series - N2-A450SR

Payload	2.5kg
Range	P point* 450mm max. 532.2mm
Repeatability	+/- 0.02mm
Permissible moment of inertia	J4 0.2kg.m ² J5 0.2kg.m ² J6 0.08kg.m ²
User cabling	Electrical D-Sub connector for 1 x 15-pin plug RJ45 connector for 1 x 8-pin plug (Ethernet) Connector for 1 x 8-pin plug (Force Sensor) Pneumatic Connectors for compressed air supply 2 x ø 6mm
Weight	19kg
Controller	RC700-A
Power source	AC200-240V Single phase
Mounting type	Table Top/Ceiling**
Installation	Environment Standard
Safety standard	CE mark, KCs mark

J1 = Axis 1 J4 = Axis 4

J2 = Axis 2 J5 = Axis 5

J3 = Axis 3 J6 = Axis 6

*P point: intersection point of rotation centres of axes 4, 5 and 6

** To use the manipulators as "Ceiling mounting", need to change the model settings on RC+ software.

Package

- Epson robot and control
- Epson RC+ program DVD including simulation software
- Mounting bracket for the robot control
- 3m motor and signal cable
- 3m motor cable for the robot control
- Plug for emergency stop
- Plug for standard inputs and outputs
- Plug set for user cabling
- Air connections (both straight and 90° angled)
- Manuals on CD
- Installation/safety manual
- Bridging plug for the brake release unit

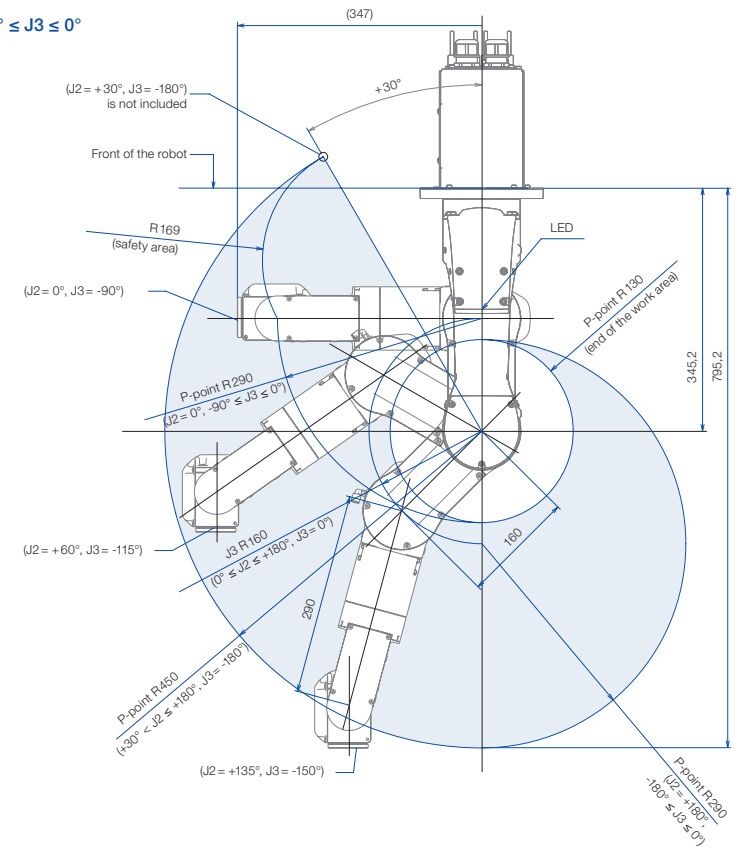
Manipulator options

- Longer power and signal cable (5m/10m/15m/20m)
- Brake release unit
- Mounting bracket (floor)

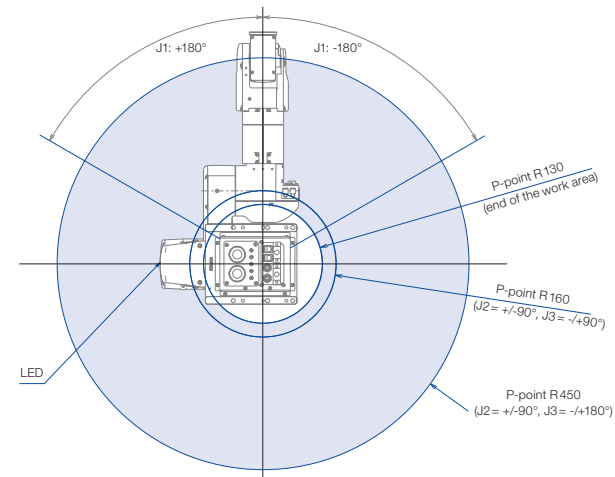
Installation

The Epson N2-Series robots are usually mounted on the ceiling to take full advantage of their unique mobility and very small footprint. Depending on the application, a flexible floor-mounting solution is also possible.

Side view if $0^\circ \leq J2 \leq +180^\circ$, $-180^\circ \leq J3 \leq 0^\circ$



Top view



Flange

